

Technical data sheet Junction box A 14

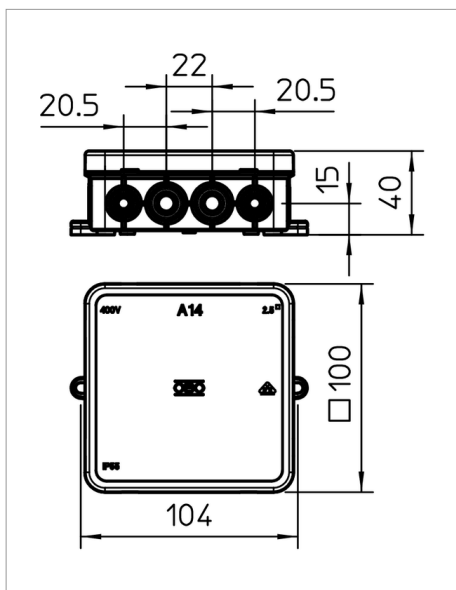


Protection rating IP55, nominal voltage 400 V, nominal cross-section 2.5 ÷ mm², 14 entry nipples for cable diameters 7–14 mm. Clamshell.

Dimensions: 100 x 100 x 40 mm

Clear internal dimensions: 90 x 90 x 35 mm

2 penetration mandrels for every 10 boxes



Type	Accessories	Colour	Box quantity	Pack. pcs	Weight kg/100 pcs.	Art.-No.
A 14 5	1 terminal strip	Light grey; RAL 7035	100	10	5.855	2000382
A 14	Without terminal strip	Light grey; RAL 7035	100	10	5.855	2000378
A 14 HF RO	Without terminal strip	Red	100	10	5.855	2000386
A 14 HF RW	Without terminal strip	Pure white; RAL 9010	100	10	5.855	2000390

PE Polyethylene

/100

