

LogiLink®

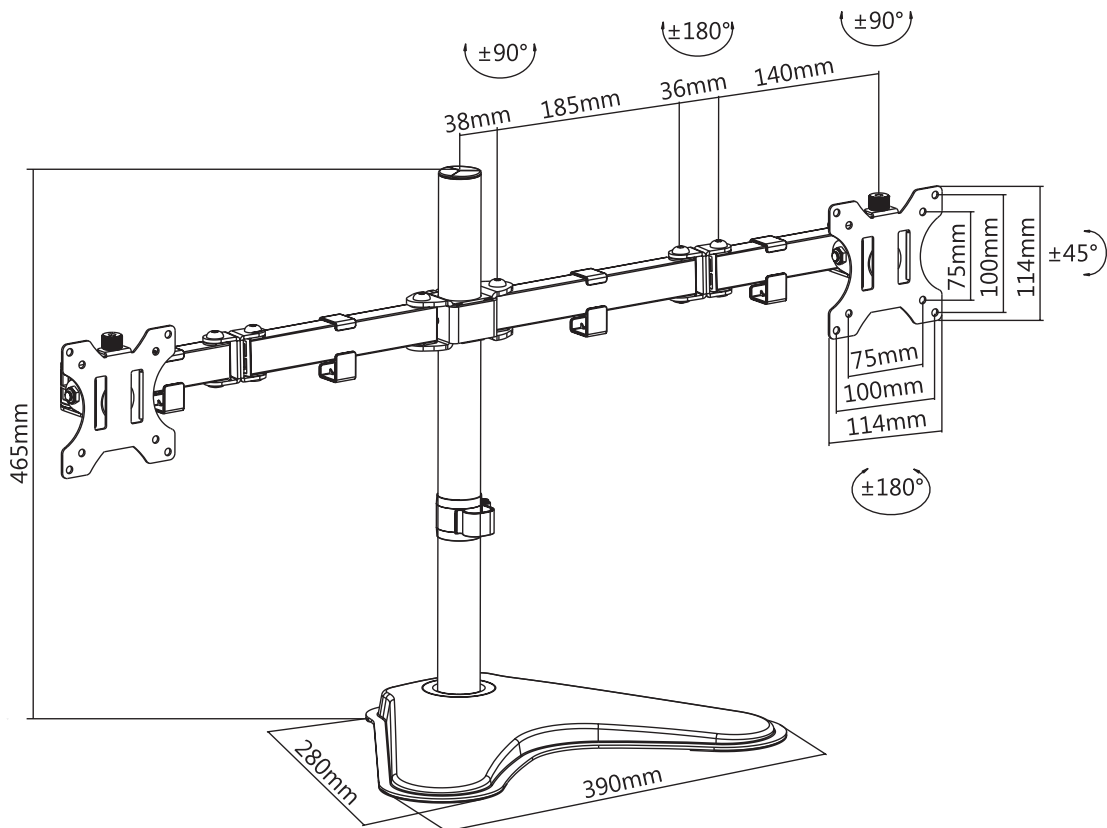


Dual Monitor Desk Stand for 13"-32" Flat & Curved Monitor

Art. No.: BP0045

Features:

- » Super strong mounting brackets: Solid-reinforced Cold Steel, durable product with maximum capacity of 8kg
- » Maximum arm extension length is 399mm, Tilt capacity: 45°~45°, Swivel capacity: 90°~90° and Rotation capacity: 180°~180°
- » Compatible with VESA 75x75mm, 100x100mm
- » Easy to install
- » Fit for 13-32 inch LCD Monitor



* The specifications and pictures are subject to change without notice.
* All trade names referenced are the registered trademark of their respective owners.



BP0045



Made in China

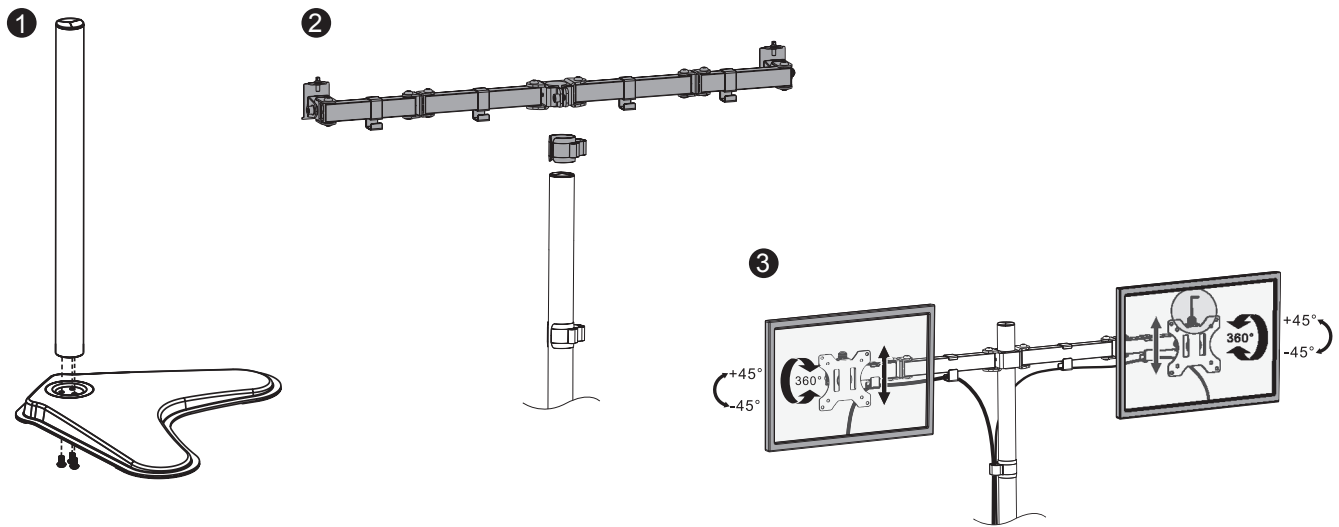
Best Connectivity

LogiLink®



Dual Monitor Desk Stand for 13"-32" Flat & Curved Monitor

Art. No.: BP0045



Specification:

Screen Size	13"-32"
Rated Load	8kg/17.6lbs
VESA	75x75, 100x100
Arm Extend	399mm
Tilt	45°~-45°
Swivel	90°~-90°
Rotate	180°~-180°
Product Size	913 x 280 x 465mm

Fits
13"-32"
Monitor

VESA
Max.
100x100mm

Arm
Extend
399mm

rated
8kg/
17.6lbs

ROTATION
-90° ~ 90°

TILT
90° ~ -90°

SWIVEL
90° ~ -90°

Package Contents:

- » 1 x Dual Monitor Desk Stand
- » 1 x Screw Package
- » 1 x User Manual

Package Informations:

- » Packing Dimension: 448 x 300 x 120mm
- » Packing Weight: 5.1kg
- » Carton Dimension: 448 x 300 x 120mm
- » Carton Q'ty: 1pcs
- » Carton Weight: 5.1kg



* The specifications and pictures are subject to change without notice.
* All trade names referenced are the registered trademark of their respective owners.



BP0045



4 052792 046502

Made in China

Best Connectivity