

## WL70-440BL11

## NEOMOUNTS TV/MONITOR WALL MOUNT

### SPECIFICATIONS

#### GENERAL

Min. screen size*	17 inch
Max. screen size*	32 inch
Min. weight	2 kg (per screen)
Max. weight	9 kg (per screen)
Screens	1
VESA minimum	75x75 mm
VESA maximum	100x100 mm
Distance to wall	9-38 cm

#### FUNCTIONALITY

Type	Tilt Rotate Swivel Full motion
Height adjustment	0-25 cm
Tilt (degrees)	+90°, -45°
Swivel (degrees)	180°
Rotate (degrees)	360°
Height	32,1 cm
Width	11,7 cm
Depth	31,5 cm
Adjustment type	Gas spring

#### INFORMATION

Color	Black
Main material	Steel
Warranty	5 year
EAN code	8717371449117

\*Please note: The inch sizes stated are just an indication, combined with the weight and VESA sizes. The maximum weight and VESA size are absolute restrictions for the products and should not be exceeded.



### Neomounts WL70-440BL11 full motion wall mount for 17-32" screens - Black

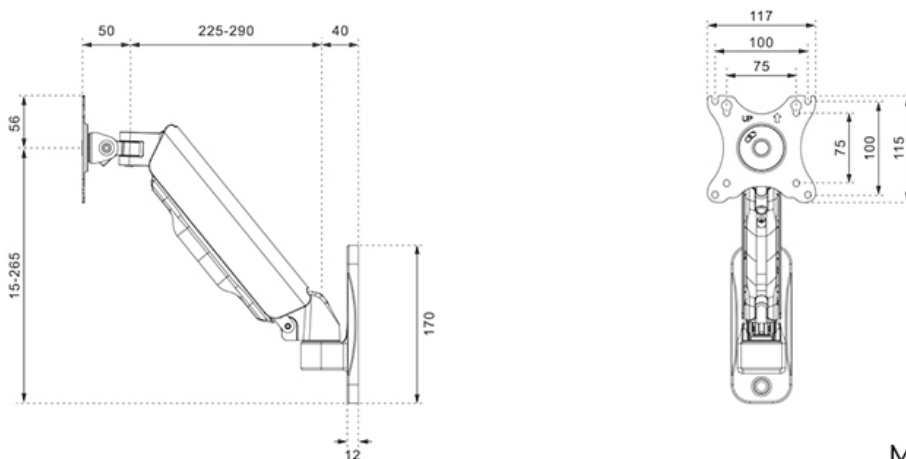
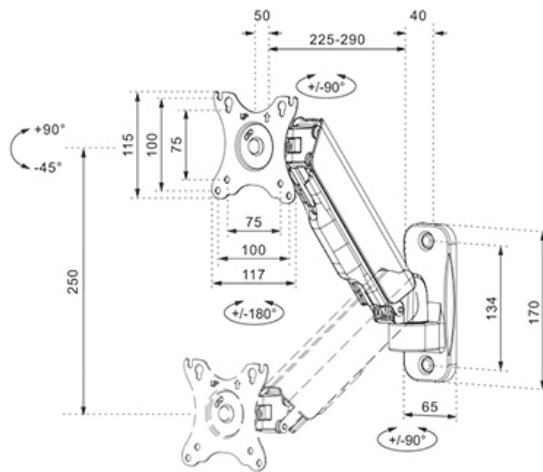
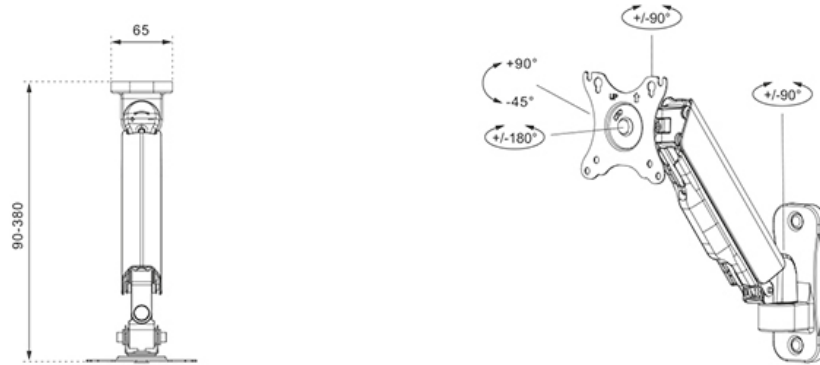
The Neomounts WL70-440BL11 is a full motion wall mount for flat screens up to 32" with a maximum weight capacity of 9 kg. The versatile tilt (135°), rotate (360°) and swivel (180°) technology allows you to create the optimum viewing angle.

The WL70-440BL11 has a depth of 9-38 cm and is suitable for screens that meet VESA hole pattern 75x75 to 100x100 mm.

The mount can be easily adjusted in height using the gas spring. The cable management system allows you to route and secure any loose cables at the back of the screen. Additionally, the mount features an Easy-release VESA, that allows you to attach the TV in a wink of an eye.

WL70-440BL11

## NEOMOUNTS TV/MONITOR WALL MOUNT



Neomounts

Measuring unit: mm